
Explosion Proof Column Radiators Type SR

The Sinus Jevi explosion-proof column radiator is a compact heater with a high output.

The radiator is filled with a water/glycol mixture and has safety devices installed to safeguard it from exceeding the maximum temperature and pressure.

The explosion-proof column radiators are marked Ex de IIC T4 or T5 Gb.



**SINUS
JEVI** 



MODEL GAS AND DUST EXPLOSION PROOF COLUMN RADIATOR TYPE SR

The Sinus Jevi explosion-proof column radiator is a compact heater with a high output. They are available for two temperature classes. the type marked Ex de IIC T4 Gb is available in a range of 1500W to 3000W and the Ex de IIC T5 Gb in a range of 850W to 1700W.

Both types are also suitable for surroundings where dust is an issue and come with a marking T125°C and T90°.

Model SR8600 Gas and Dust explosion proof

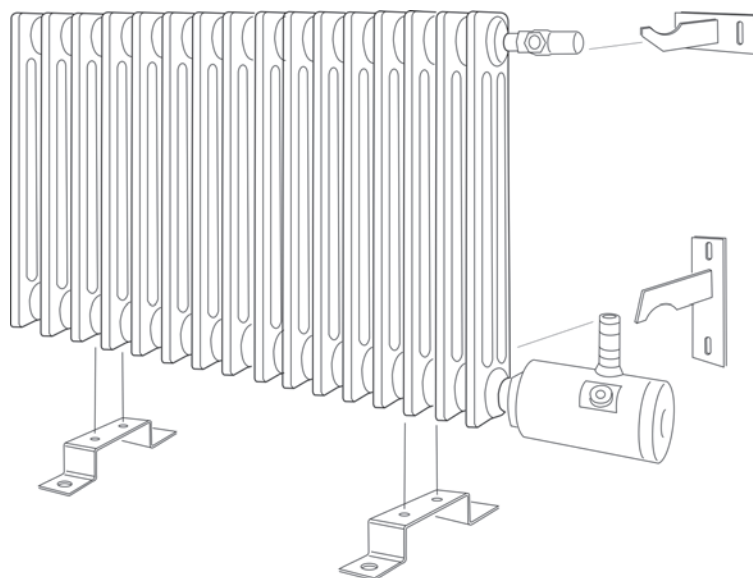
The Sinus Jevi explosion proof column radiator is supplied with brackets suited for floor and wall mounting.

The radiator is filled with a water glycol mixture and has safety devices installed to safeguard it from exceeding the maximum temperature and pressure. The safety thermostat is fixed at 105°C for T4 and 90°C for T5. The pressure safety valve is set at 1.3 bar.

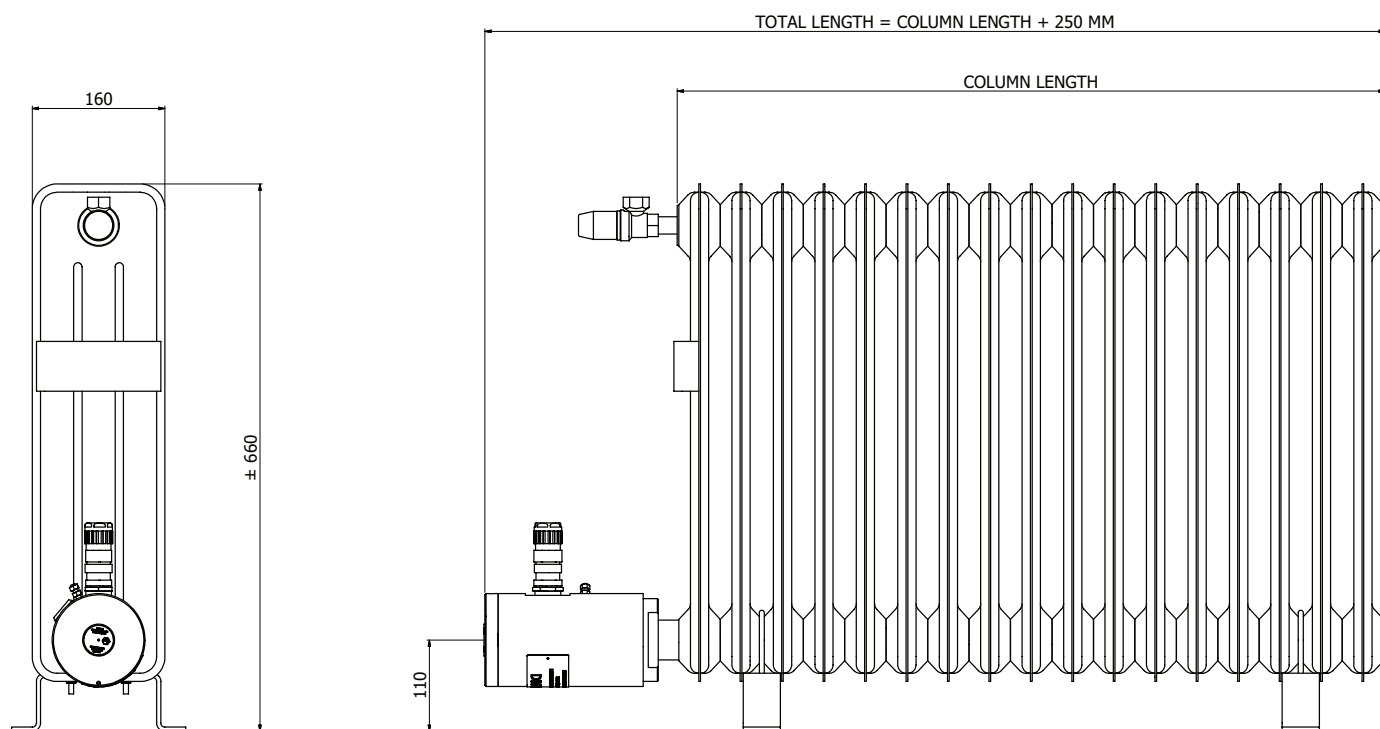
The standard voltage is 230 Volts and different voltage are available on request with a maximum of 400 Volts.

A room thermostat type ERT-10 is available to control the ambient temperature.

- * Steel column epoxy coated in colour white (RAL 9016)
- * ATEX Certificate number: ISSeP08ATEX034X
- * Marking for gas Ex II 2 G / Ex de IIC T4 or T5 Gb
Marking for dust Ex II 2 D / Ex tb IIIC T125°C or T90°C Db
- * Standard ambient temperature: -30°C - +40°C
Extended ambient temperature: -50°C - +50°C (upon request)
- * Ingress protection: IP66
- * Excluding cable gland M20x1.5



TECHNICAL DATA GAS AND DUST EXPLOSION PROOF RADIATORS							
Type	Output	Temp. class	Voltage	Column length	Width	Height	Article number
SR 1500 T4	1500 Watt	T4 (125°C)	230 Volt	850 mm	160 mm	660 mm	B230 111 500
SR 2000 T4	2000 Watt	T4 (125°C)	230 Volt	1150 mm	160 mm	660 mm	B230 212 000
SR 2500 T4	2500 Watt	T4 (125°C)	230 Volt	1450 mm	160 mm	660 mm	B230 312 500
SR 3000 T4	3000 Watt	T4 (125°C)	230 Volt	1700 mm	160 mm	660 mm	B230 413 000
SR 1500 T5	850 Watt	T5 (90°C)	230 Volt	850 mm	160 mm	660 mm	B230 120 850
SR 2000 T5	1150 Watt	T5 (90°C)	230 Volt	1150 mm	160 mm	660 mm	B230 221 150
SR 2500 T5	1450 Watt	T5 (90°C)	230 Volt	1450 mm	160 mm	660 mm	B230 321 450
SR 3000 T5	1700 Watt	T5 (90°C)	230 Volt	1700 mm	160 mm	660 mm	B230 421 700



SINUS JEVI

Sinus was one of the pioneers in the field of explosion proof heating equipment, today we are still operating at the forefront. We design and manufacture according to ATEX as well as IECEx and EAC directives.

Our company is certified to design and produce Ex-equipment. and we also in the possession of ISO 9001 and ISO 14001 certificates

NIBE