

---

# Room Thermostats Safe area & Ex

*Sinus Jevi offers a complete range of high quality room thermostats and associated equipment. Our electromechanical thermostats combine simplicity and reliability in a cost effective solution for (direct) temperature control of electric room heaters, while our electronic thermostats add ease of use, accuracy and versatility to room temperature control. For the most demanding hazardous area applications are three types of explosion proof room thermostats available.*



**SINUS  
JEVI  $\Omega$**



Liquids



Gasses



Solids



Spaces

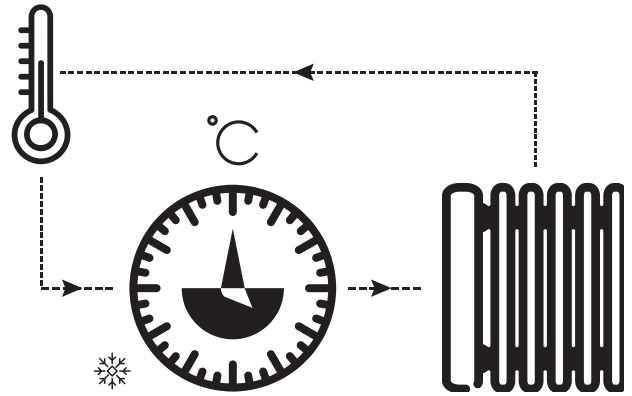


Resistors

## 1. Electromechanical room thermostats

Sinus Jevi electromechanical room thermostats combine industrial quality, reliability and ease of use in a compact and robust enclosure. Power supply for the thermostats is not required due to the principle of mechanical operation. The thermostats are suitable for accurate and direct control of Sinus Jevi electric space heaters. Observe contact rating and electric load of the heater during selection of a room thermostat.

Types TG1, TG2 and TG3 are cost effective, high quality room thermostats with coiled sensor for better temperature sensitivity in an attractively designed enclosure. The plastic casing is stable and impact resistant. The cable entry is provided with a rubber sealing, which ensures good protection against dust and splashing water.



### Room thermostat types TG1 & TG2

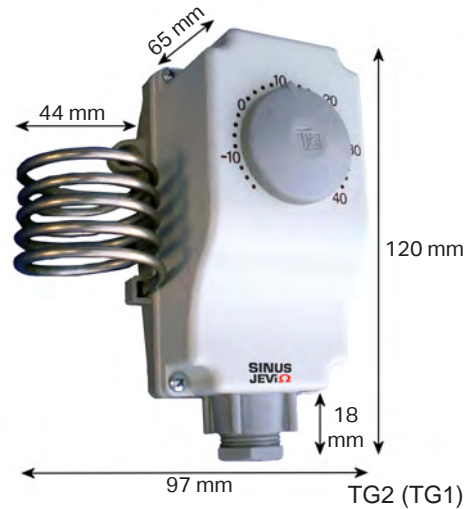
Types TG1 and TG2 have an outside knob for temperature set point adjustment.

#### Technical specifications

Material	: plastic casing
Operating range	: -15... +50°C
Tolerance	: T. min. ±4K / T. max. ±3K T.s.p. ±3K
Differential	: 2 ± 1K
Switching contact	: potential free changeover contact
Contact rating	: max. 16(4)A 250~ / 6(1)A 400V~
Sensor	: stainless steel coiled sensor
Dimensions	: 97 x 120 x 65 mm
Protection class	: IP55
Weight	: approx. 165 grams

<b>TG1</b>	
Adjustable range	: 0...+40°C
Article number	: 762 098 0007B
EAN-code	: 8715179004774

<b>TG2</b>	
Adjustable range	: -15...+40°C
Article number	: 762 098 0007C
EAN-code	: 8715179006914

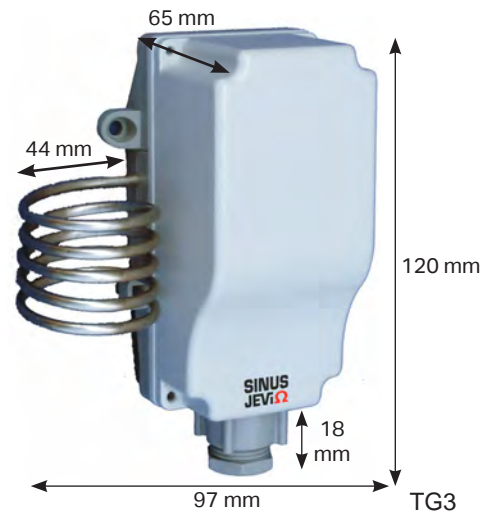


### Room thermostat type TG3

Type TG3 has a fully closed enclosure with inside shaft with notch for temperature set point adjustment.

#### Technical specifications

Material	: plastic casing
Operating range	: -15... +70°C
Tolerance	: T. min. ±4K / T. max. ±3K T.s.p. ±3K
Differential	: 2 ± 1K
Switching contact	: potential free changeover contact
Contact rating	: max. 16(4)A 250~ / 6(1)A 400V~
Sensor	: stainless steel coiled sensor
Dimensions	: 97 x 120 x 65 mm
Protection class	: IP55
Weight	: approx. 165 grams
Adjustable range	: 0...+60°C
Article number	: 762 098 0007D
EAN-code	: 8715179007256



## Room thermostat type FC5A & FC5B

Types FC5A and FC5B are high quality industrial thermostats with IP65 protection and adjustable differential. These models are the successors of thermostat type 9251.

### Technical specifications

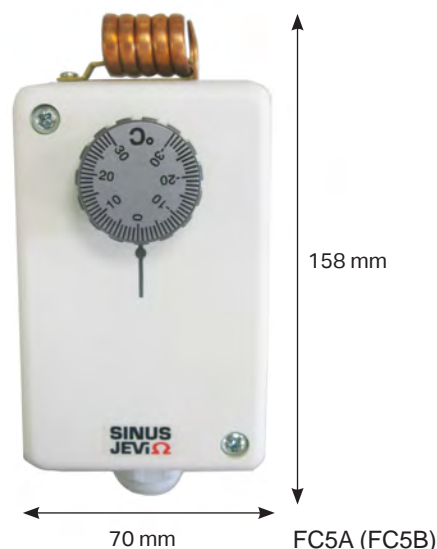
Material	: plastic casing
Operating range	: -35... +65°C
Adjustable differential	: 2..15°C
Switching contact	: potential free changeover contact
Contact rating	: max. 15(8)A 24...250~
Sensor	: copper coiled sensor, liquid filled
Dimensions	: 70 x 158 x 72 mm
Protection class	: IP65
Weight	: approx. 380 grams

#### FC5A

Adjustable range	: -30...+30°C
Article number	: 121 010 0030B
EAN-code	: 8715179006921

#### FC5B

Adjustable range	: 0...+60°C
Article number	: 121 010 0060A
EAN-code	: 8715179006938



## Room thermostat type RTC

The RTC type is specifically suitable for Sinus Jevi SHK-10 and SHK-15 hot air blowers. It is a durable thermostat with coated steel enclosure. The thermostat is provided with 8 metres of earthed cable including STAS connector.

### Technical specifications

Material	: coated steel
Tolerance	: $\pm 2K$
Differential	: $\pm 1K$
Switching power	: max. 16(5) at 400V~ (SPDT contact)
Dimensions	: 102 x 160 x 80 mm
Protection class	: IP30
Weight	: approx. 1200 grams
Setting range	: 0... +40°C (incl. frost protection s.p.)
Article number	: 731 093 001A
EAN-code	: 8715179001803



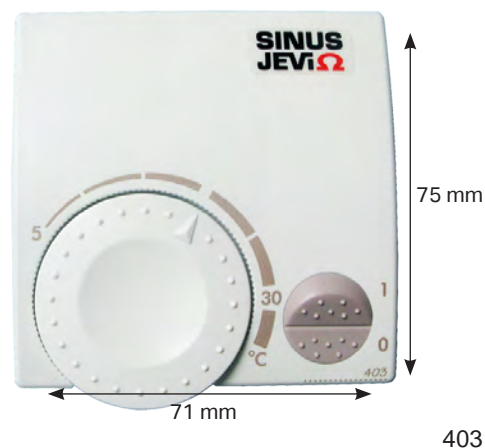
RTC

## Room thermostat type 403 & PR-T

Surface mounting model with flat and attractive design. Manual switch for heating on/off. Type PR-T is equipped with a mounting lid for Sinus Jevi PR panel radiators.

### Technical specifications

Material	: plastic casing
Differential	: 0.5K
Switching contact	: potential free changeover contact
Switching power	: max. 10(4)A at 250V~
Sensor	: internal bi-metal sensor with thermal feedback
Max. sensor temperature	: +30°C
Dimensions	: 71 x 75 x 27 mm
Protection class	: IP20
Weight	: approx. 90 grams
Adjustable range	: +5... +30°C
Mounting	: surface mounting, on a conduit box or on a DIN rail with clips



403

### 403

Article number	: 121 771 0001A
EAN-code	: 8715179004743

### PR-T (For Sinus Jevi PR radiators only.)

Article number	: A020 200 002
EAN-code	: 8715179003906



PR-T

## Room thermostat type 3502 & WD/GG-T

Surface mounting model with bimetal technology and thermal feedback. Manual switch for heating on/off and heater on indicator (LED).

Type WD/GG-T is equipped with a mounting lid for Sinus Jevi WD/GG finned tube heaters.

### Technical specifications

Material	: plastic casing
Differential	: 0.5K
Switching contact	: potential free changeover contact
Switching power	: max. 16(4)A at 230V~
Sensor	: internal bi-metal sensor with thermal feedback
Max. sensor temperature	: +30°C
Dimensions	: 75 x 75 x 27,5 mm
Protection class	: IP30
Weight	: approx. 76 grams
Adjustable range	: +5... +30°C
Mounting	: surface mounting, on a conduit box or on a DIN rail with clips



3502

### 3502

Article number	: 121 771 0001B
EAN-code	: 8715179007003

### WD/GG-T (For Sinus Jevi WD/GG finned tube heaters only.)

Article number	: A020 200 001
EAN-code	: 8715179003401



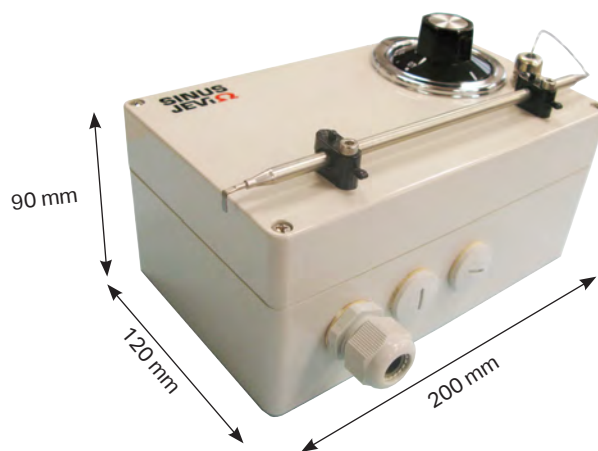
WD/GG-T

## Room thermostat type RTS1

Type RTS1 has been designed for direct control of (multiple) finned tube (or similar) heaters with single- or 3-phase supply voltage. The capillary thermostat combines reliable operation with a high switching capacity. This room thermostat is an ideal solution for room temperature control with a minimum of (external) wiring and other (power) switching devices.

### Technical specifications

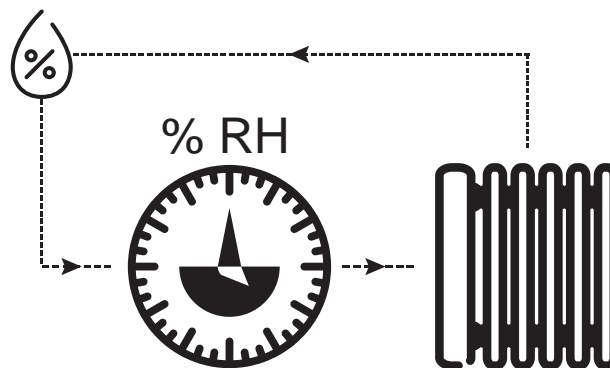
Material enclosure	: ABS
Differential	: 2K
Switching contact	: 3 x potential free SPST contact
Switching power	: max. 3 x 16(2,6)A at 400V~
Sensor	: capillary sensor with fluid
Max. sensor temperature	: +50°C
Dimensions	: 200 x 120 x 90 mm
Protection class	: IP54
Weight	: approx. 1020 grams
Adjustable range	: +0... +40°C
Mounting	: on the wall, with horizontal sensor
Article number	: A020 200 004
EAN-code	: 8715179006945



RTS1

## 2. Electromechanical Humidistat

One way of reducing relative humidity in a room is heating the ambient air, since hot air is able to contain more humidity than cold air. Limiting relative humidity may be necessary in order to create a pleasant / healthy habitat or to reduce the risk of condensation. Electromechanical humidistat type DBZH will keep its potential free switch over contact in 'heating mode' as long as the measured relative humidity is above the set point. The contact will switch over as soon as the relative humidity has dropped approximately 5% RH below the set point. Type DBZH is able to control an electric heater up to 5A / 230 VAC directly. Higher capacities can be controlled with an additional ESC switching unit. A combined circuit with humidistat and thermostat is recommended, if it is important to keep the room temperature within certain limits



### Single stage humidistat type SHS-01

#### Technical specifications

Material	: plastic casing, white
Setting range	: 35%.....100% RH
Sensor	: several synthetic fabric bands
Switching contact	: dust sealed microswitch with change over contacts (heating/cooling)
Max. output	: 10A (4)A 230Vac
Ambient temperature	: 0°C....+55°C
Hysteresis	: approx. 4% RH
Protection class	: IP30
Dimensions	: 75 x 75 x 30 mm
Weight	: approx. 65 grams
Article number	: 127 000 301A
EAN-code	: 8715179007386

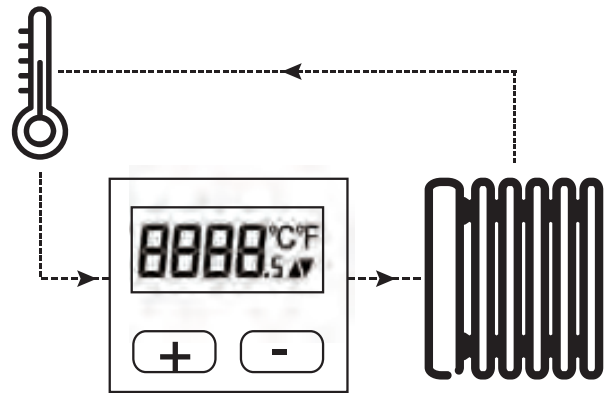


## 2. Electronic room thermostats



Sinus Jevi electronic thermostats offer ease of use, accuracy and enhanced switching capacity for direct electric heater control. The LCD display shows the measured temperature and the status of the thermostat. The advanced (Chronothermostat) types show additional information like time, humidity and graphical symbols. The electronic thermostats are battery powered and are suitable for wall mounting or surface mounting on a conduit box.

Types FC1A and FC1C are basic models for quick and easy install. Chronothermostat types FC2A, FC2C and FC2D include a programmable weekly (heating) control schedule, slim and stylish design and advanced regulation type functions.



### Electronic room thermostat type FC1A

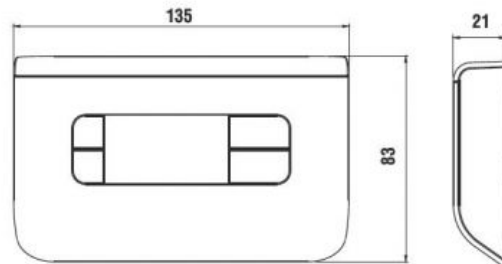
Electronic room thermostat with microprocessor to control heating and air conditioning installations. FC1A has the possibility to connect an auxiliary sensor for the minimum temperature T-min and the maximum temperature T-max. The output relay enables you to connect loads up to 16(4)A at 250 VAC directly to the thermostat.

#### Technical specifications

Material	: Plastic casing (white) with LCD display
Setting range	: 2... +40°C
Power supply	: 2x AA batteries
Switching contact	: potential free changeover contact
Switching power	: Max. 16(4)A at 250 Volt~
Ambient temperature	: -10°C - +50°C
Operating modes	: Comfort, Economy & Off
Dimensions	: 135 x 83 x 21 mm
Protection class	: IP20
Weight	: approx. 115 grams
Article number	: 121 010 0040E
EAN-code	: 8715179006952



FC1A + FC1C



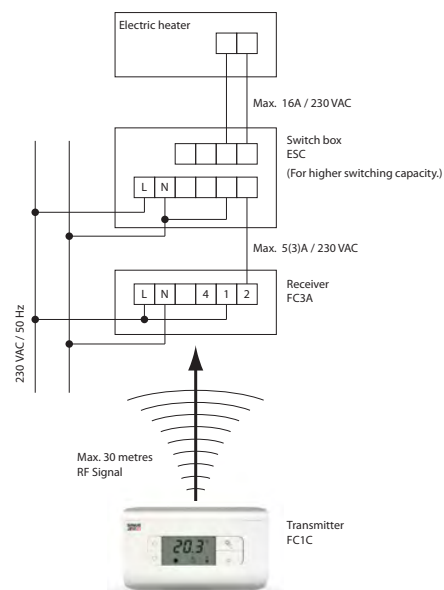
FC1A + FC1C

### Electronic RF room thermostat type FC1C

Thermostat type FC1C is similar to type FC1A except for the output circuit, which is wireless. The main advantage of this principle is the absence of external wiring at the thermostat. Mounting at virtually any location in the (heated) room is possible. The wireless relay receiver (switching unit, type FC3A) can be located nearby the heating source.

#### Technical specifications

Material	: Plastic casing (white) with LCD display
Setting range	: 2... +40°C
Power supply	: 2x AA batteries
Output	: RF switching signal
Ambient temperature	: -10°C - +50°C
Operating modes	: Comfort, Economy & Off
Dimensions	: 135 x 83 x 21 mm
Protection class	: IP20
Weight	: approx. 115 grams
Required accessory	: Receiver / actuator type FC3A
Article number	: 1210100040F
EAN-code	: 8715179006969



## Electronic room chronothermostat type FC2A

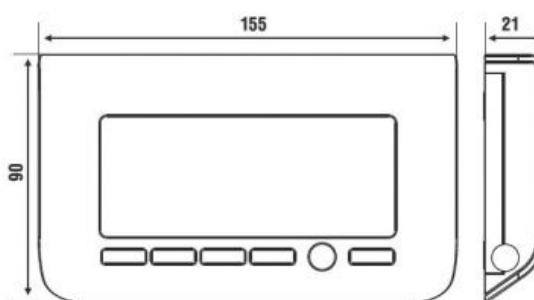
Electronic chronothermostat with microprocessor and a programmable weekly (heating) control schedule. FC2A has a wide LCD display with graphic icons and 6 operating keys at the front. The thermostat has 3 side wheels for immediate setting of 3 scheduled temperature levels. Users are able to choose between 5 operation modes (manual, automatic, holiday, jolly and off) and many special functions, like proportional regulation, adjustable proportional range, optimization, etc. are available.

### Technical specifications

Material	: Plastic casing (white) with LCD display
Setting range	: (3X) 2... +40°C
Power supply	: 2x AA batteries
Switching contact	: potential free changeover contact
Switching power	: Max. 16(4)A at 250 Volt~
Ambient temperature	: 1.. +45°C
Operating modes	: manual, automatic, holiday, jolly & off
Programmable	: weekly schedule
Extra	: special functions
Dimensions	: 155 x 90 x 21 mm
Protection class	: IP20
Available accessories	: external (outside) temp. probe (FC4A), floor probe (FC4C), ambient (inside) probe (FC4B) & phone activator
Weight	: approx. 171 grams
Article number	: 121 010 0040G
EAN-code	: 8715179006976



FC2A + FC2C



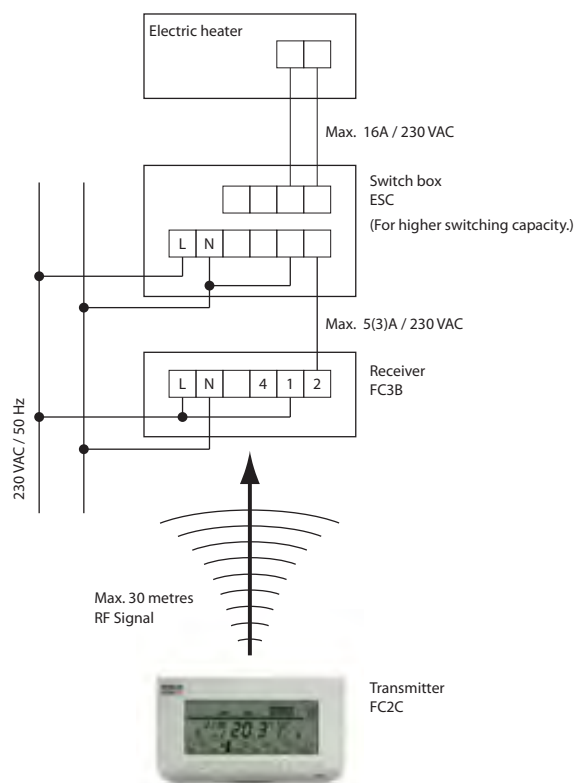
FC2A + FC2C

## Electronic RF room chronothermostat type FC2C

Thermostat type FC2C is similar to type FC2A except for the output circuit, which is wireless. The main advantage of this principle is the absence of external wiring at the thermostat. Mounting at virtually any location in the (heated) room is possible. The wireless relay receiver (switching unit, type FC3B) can be located nearby the heating source.

### Technical specifications

Material	: Plastic casing (white) with LCD display
Setting range	: (3X) 2... +40°C
Power supply	: 2x AA batteries
Switching contact	: potential free changeover contact
Switching power	: Max. 16(4)A at 250 Volt~
Ambient temperature	: 1.. +45°C
Operating modes	: manual, automatic, holiday, jolly & off
Programmable	: weekly schedule
Extra	: special functions
Dimensions	: 155 x 90 x 21 mm
Protection class	: IP20
Available accessories	: external (outside) temp. probe (FC4A), floor probe (FC4C), ambient (inside) probe (FC4B) & phone activator
Weight	: approx. 171 grams
Article number	: 1210100040I
EAN-code	: 8715179006990



### Electronic touch screen room thermostat type FC2D

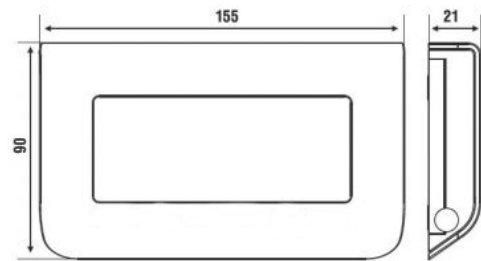
Electronic chronothermostat with user-friendly touch screen, microprocessor and a programmable weekly (heating) control schedule. FC2D has a wide LCD display with back lighting and 6 graphic touch icons for quick access to the thermostat settings and functions. The thermostat has 3 side wheels for immediate setting of 3 scheduled temperature levels. Users are able to choose between 5 operation modes (manual, automatic, holiday, jolly and off) and many special functions, like proportional regulation, adjustable proportional range, optimization, etc. are available.



FC2D

#### Technical specifications

Material	: Plastic casing (white) with LCD (touch) display
Setting range	: (3X) 2... +40°C
Power supply	: 2x AA batteries
Switching contact	: potential free changeover contact
Switching power	: Max. 16(4)A at 250 Volt~
Ambient temperature	: 1.. +45°C
Operating modes	: manual, automatic, holiday, jolly & off
Programmable	: weekly schedule
Extra	: special functions
Dimensions	: 155 x 90 x 21 mm
Protection class	: IP20
Available accessories	: external (outside) temp. probe (FC4A), floor probe (FC4C), ambient (inside) probe (FC4B) & phone activator
Weight	: approx. 171 grams
Article number	: 121 010 0040H
EAN-code	: 8715179006983



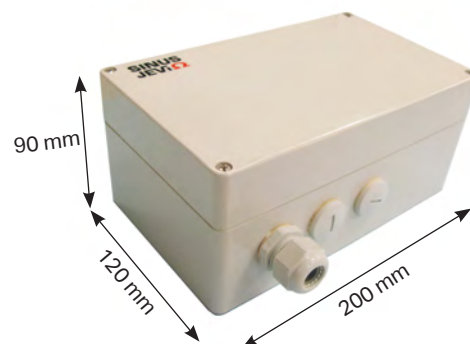
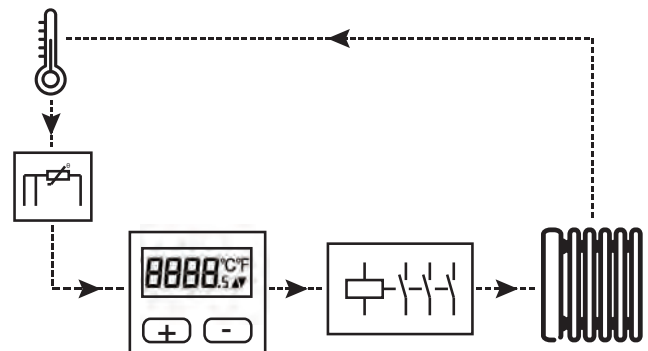
FC2D

### 3. Thermostat Accessories

In order to expand the functionality of the Sinus Jevi (room) thermostats several accessories are available. Relay switch box ESC1/2/3 is able to enhance the switching capacity of the thermostat, relay receivers type FC3A/B are available for remote switching of the heater and external temperature sensors FC4A/B enable you to measure the temperature at a specific location (other than where the electronic thermostat is mounted).

#### Relay switch box with contactor(s) type ESC

If the heater load exceeds the switching capacity of the thermostat or if more potential contacts (e.g. for 3-phase supply voltage) are required Sinus Jevi relay switch box type ESC will be a convenient solution. Type ESC1 contains one piece contactor, ESC2 two pieces and ESC3 three pieces. Each potential free contact of the contactor(s) is able to switch 20 A resistive load at 400 VAC nominal voltage. Increasing the number of contactors will result in more potential free contacts, a higher (current) switching capacity and the ability to control the coils of the individual contactors separately. Application examples (diagrams) can be found in the description of RF thermostat types FC1C and FC2C.



ESC

## Technical specifications

Material enclosure	: ABS
Contactor(s)	: ABB B6-30-10
Switching contacts (*)	: 4 x potential free SPST contact
Switching power (AC1)(*)	: max. 4 x 20A at 400V~
Coil voltage / power (**)	: 230 VAC / 3.5W
Dimensions	: 200 x 120 x 90 mm
Protection class	: IP66
Electrical connections	: with terminals incl. PE
Weight	: approx. 1kg (ESC1)
Ambient temp. range	: +0... +40°C
Cable glands (***)	: M20, Nylon, 6 pieces (ESC1)
Mounting	: wall mounting

(\*) Applicable for each contactor.

(\*\*) Other coil voltage (e.g. 400 VAC) available at request.

(\*\*\*) Other or more cable glands available at request.

### Type ESC1 - One Contactor

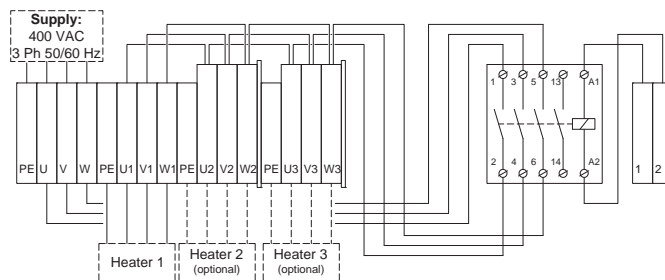
Article number	: 121 000 0001A
EAN-code	: 8715179007171

### Type ESC2 - Two Contactors

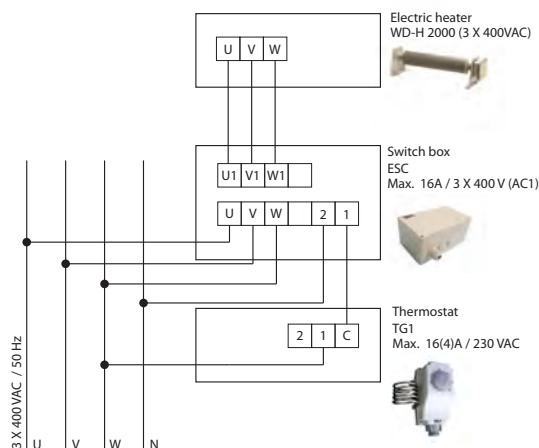
Article number	: 121 000 0002A
EAN-code	: 8715179007188

### Type ESC3 - Three Contactors

Article number	: 121 000 0003A
EAN-code	: 8715179007195



Wiring diagram ESC1



Application example ESC1

## Relay receiver type FC3A

Wireless relay receiver (switching unit) for remote (on/off) control of (electric) heaters. This receiver is suitable for wireless thermostat FC1C. The radio signal is free of interference with other equipment, even if the same frequency is used. The distance between the receiver and the transmitter (thermostat) should not exceed 30 meters indoors and 70 meters in open space. Specific environmental conditions may have influence on these specifications. Do not shield the device with metal parts in order to prevent disturbance of the wireless signal.

The status of the receiver is indicated by three LED's.

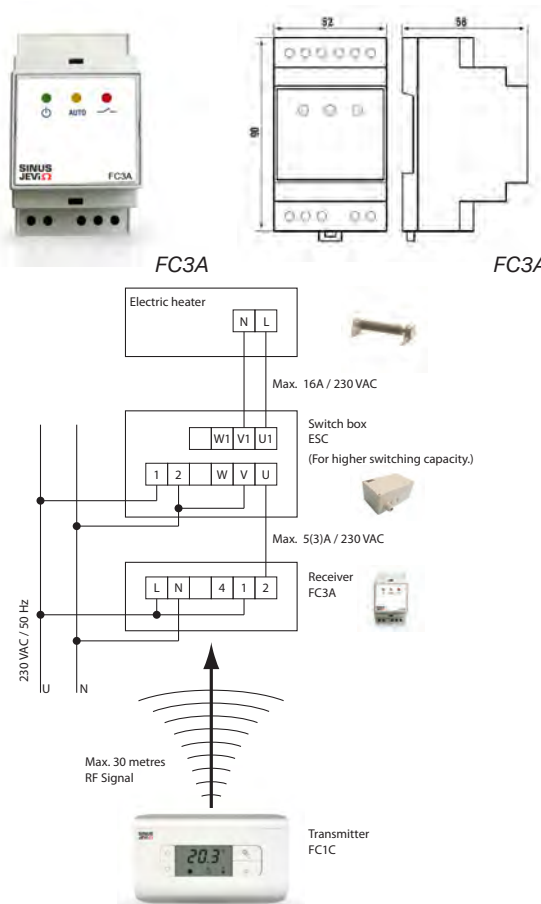
Green LED on: relay receiver is energized / power on.

Yellow LED on: relay receiver is configured in automatic mode.

Red LED on: relay contact is closed.

## Technical specifications

Installation	: on DIN-rail
Power supply	: 230V AC 50Hz
Contact rating	: Max. 5(3)A at 250 Volt~
Admissible ambient temp.	: 45°C
Protection degree	: IP40 (back panel)
Wireless frequency	: 868.350 MHz (< 15 mW)
Software class	: A
Article number	: 1210100040F RF
EAN-code	: 8715179007324



Application example FC3A

### Relay receiver type FC3B

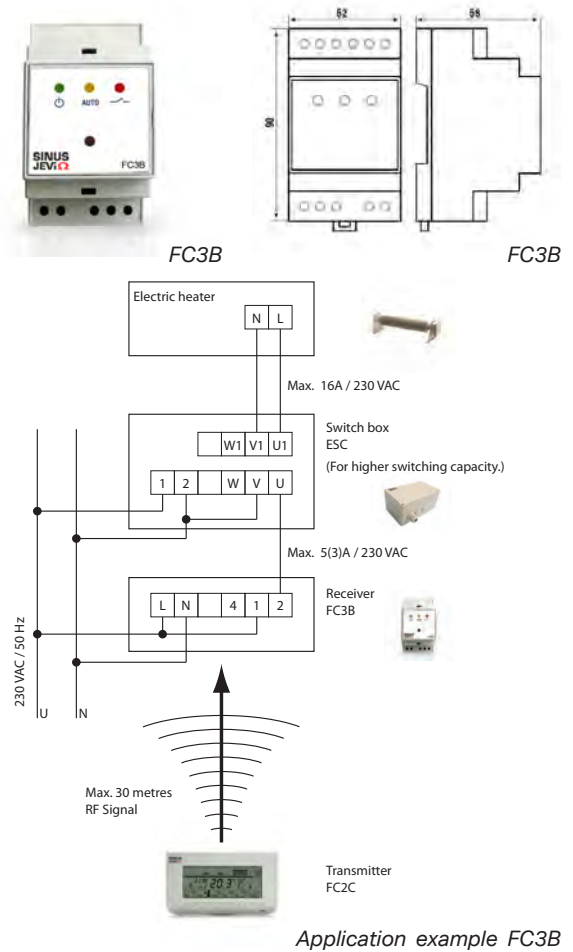
Wireless relay receiver (switching unit) for remote (on/off) control of (electric) heaters. This receiver is suitable for wireless chronothermostat FC2C. The radio signal is free of interference with other equipment, even if the same frequency is used. The distance between the receiver and the transmitter (thermostat) should not exceed 30 meters indoors and 70 meters in open space. Specific environmental conditions may have influence on these specifications. Do not shield the device with metal parts in order to prevent disturbance of the wireless signal. Manual mode operation by means of the front button.

The status of the receiver is indicated by three LED's.

Green LED on: relay receiver is energized / power on.  
 Yellow LED on: relay receiver is configured in automatic mode.  
 Red LED on: relay contact is closed.

### Technical specifications

Installation	: on DIN-rail
Power supply	: 230V AC 50Hz
Contact rating	: Max. 5(3)A at 250 Volt~
Admissible ambient temp.	: 45°C
Protection degree	: IP40 (back panel)
Wireless frequency	: 868.350 MHz (< 15 mW)
Software class	: A
Article number	: 1210100040I RF
EAN-code	: 8715179007331



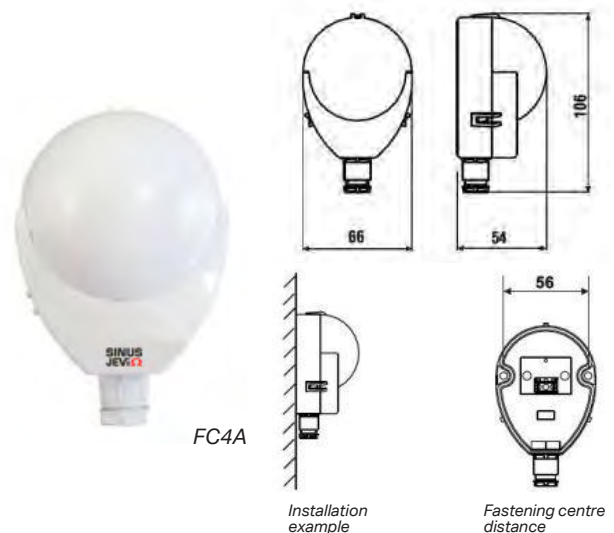
Application example FC3B

### External (outside) temperature sensor type FC4A

Temperature sensor for measuring outside temperature, suitable for FC2 thermostats. The thermoplastic sensor enclosure offers protection against dust and water according to IP55.

### Technical specifications

Installation	: wall mounting
Enclosure	: thermoplastic material, IP55
Temperature sensor	: linearised NTC 10k thermistor
Admissible ambient temp.	: -40...80°C
Cable gland	: G1/4
Electrical connection	: - with screw terminal - 2-wire cable min. 1 mm <sup>2</sup>
Article number	: 121 000 0004A
EAN-code	: 8715179007348

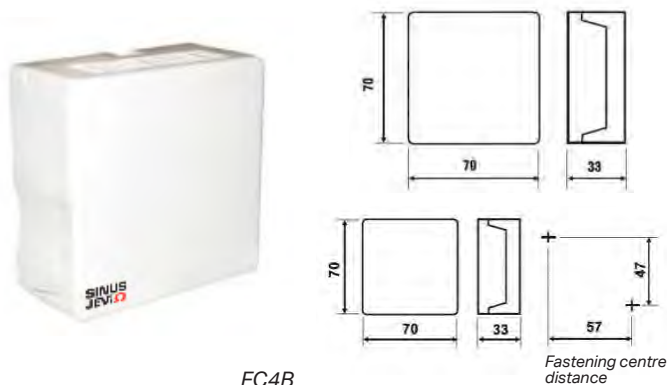


### Ambient (inside) temperature sensor type FC4B

Temperature sensor for (remote) measuring inside / ambient temperature, suitable for FC2 thermostats. The thermoplastic sensor enclosure offers protection according to IP20.

#### Technical specifications

Installation	: wall mounting
Enclosure	: thermoplastic material, IP20
Temperature sensor	: linearised NTC 10k thermistor
Admissible ambient temp.	: -10...45°C
Electrical connection	: - with screw terminal - 2-wire cable min. 1 mm <sup>2</sup>
Article number	: 121 000 0004B
EAN-code	: 8715179007355



FC4B

### Floor / surface temperature sensor type FC4C

Temperature sensor for measuring floor / surface temperature, suitable for FC2 thermostats. The sensor cable length is 3 meters.

#### Technical specifications

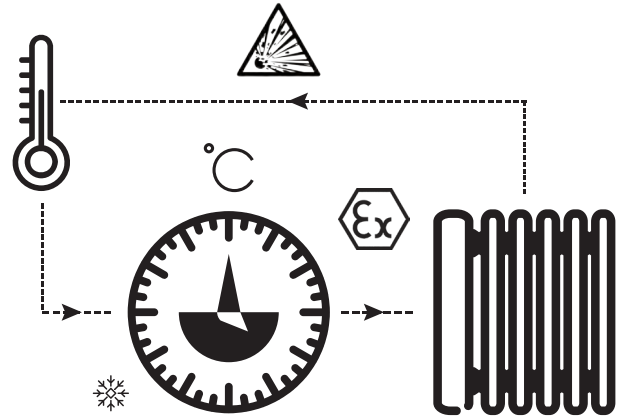
Installation	: on the floor / surface mounting
Cable insulation	: Nylon (double insulation)
Temperature sensor	: linearised NTC 10k thermistor
Admissible ambient temp.	: -10...60°C
Electrical connection	: 2-wire cable
Article number	: 1210000004B
EAN-code	: 8715179007362



FC4C

## 4. Hazardous area room thermostats

Sinus Jevi has one special made type and two standardized types room thermostats for hazardous area applications available. These thermostats are suitable for areas with potential explosion hazard caused by presence of either gases, vapours & mist (zone 1 or 2) or combustible dusts & dust/air mixtures (zone 21 or 22). Both thermostats are characterized by their robust and solid construction, which ensure maximum operational reliability. Power supply for the thermostats is not required due to the principle of mechanical operation. The thermostats are suitable for accurate and direct control of Sinus Jevi explosion proof electric space heaters. Observe contact rating and electric load of the heater during selection of the explosion proof room thermostat. Also make sure the marking of the thermostat complies with the applicable hazardous area (zone) requirements.

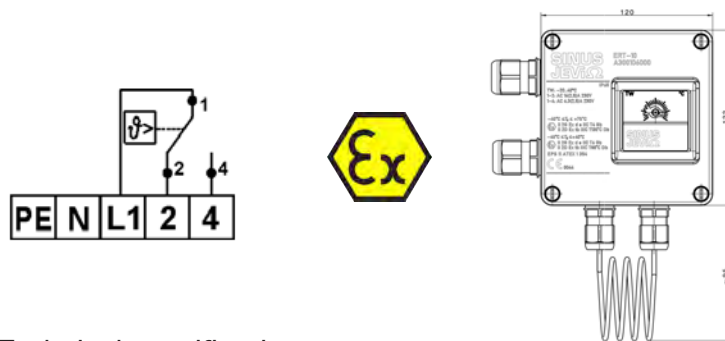


### Ex. proof room thermostat type ERT-10

Hazardous area thermostat type ERT-10 replaces former type EJB D8525 and is suitable for direct control of Sinus Jevi explosion proof space heaters, e.g. finned tube heater type ERB. The ERT-10 surface mounted thermostat stands for reliable temperature control, even under extreme conditions. A convenient view window enables you to see the adjustable set point of the thermostat without removing the lid. The (outside) construction and enclosure of the thermostat comply with increased safety (Ex 'e') requirements and enable usage of 'simple' (Ex 'e') cable glands. Two cable glands are available for both incoming and outgoing cable. Maximum 16A / 230 VAC load can be switched by the single pole (double throw) potential free thermostat contact. The adjustable temperature range is -20°C up to +40°C and the admissible ambient temperature is -40°C up to +40°C. The (outside) IP65 enclosure is made of reinforced Polyester, making it suitable for placement in harsh environments. Its Ex approvals apply to explosive gas atmospheres (zone 1 and 2) or dust atmospheres (zone 21 and 22).



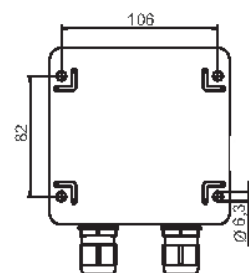
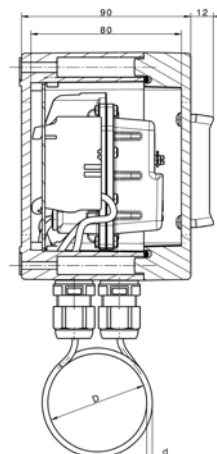
ERT-10



Replacement type for EJB D8525.

### Technical specifications

Type	: ERT-10
Version	: TW
Including	: view window
Classification (ATEX)	: Ex II 2G Ex de IIC T6 Gb Ex II 2D Ex tb IIIC T130°C Db
ATEX Certificate number	: EPS 11 ATEX 1354
Material	: polyester casing, black
Setting range	: -20... +40°C
Switching capacity	: 1-2: AC 16(2,5)A 230V 1-4: AC 6,3(2,5)A 230V
Max. sensor temp.	: 40°C
Dimensions	: 106 x 200 x 90 mm
Protection class	: IP65
Weight	: approx. 1200 grams
Article number	: A300 106 000
EAN-code	: 8715179007379



ERT-10

## Explosion-proof thermostat type EJB D8640

Type EJB-D8640 is especially designed for demanding applications up to gas group IIC. Its extremely robust construction (solid steel or stainless steel) makes it suitable for the toughest working conditions. Placement is allowed in explosive gas atmospheres (zone 1 and 2) or dust atmospheres (zone 21 and 22). Two cable glands (\*\* M20x1.5 HAWKE type 501/453/O) are available for both incoming and outgoing cable. Maximum 3X400 V / 16A (AC1) load can be switched by the three pole (single throw) potential free thermostat contacts. The adjustable temperature range is 0.. +40°C and the admissible ambient temperature is -20°C up to +50°C for the standardized version. This explosion proof thermostat is produced at request. It is possible to alter the thermostat according to specific requirements, for example extended ambient temperature range or other adjustable temperature range. Please contact Sinus Jevi for more details.

### Technical specifications

Type	: EJB-D8640A (3 phase)
Type of Ex protection	: flame proof (Ex 'd')
Supplied with	: 2 brass cable glands
Material	: Steel casing
Setting range	: 0... +40°C
Ambient temperature	: -20°C - +50°C
Hysteresis	: 2°C
Switching power	: Max. 3x400 Volts AC to 3x16A
Protection class	: IP66
Article number	: A301 204 030
EAN-code	: 8715179004798

Type	: EJB-D8640B RVS (3 phase)
Type of Ex protection	: flame proof (Ex 'd')
Supplied with	: 2 nickel plated cable glands
Material	: Stainless steel casing
Setting range	: 0... +40°C
Ambient temperature	: -20°C - +50°C
Hysteresis	: 2°C
Switching power	: Max. 3x400 Volts AC to 3x16A
Protection class	: IP66
Article number	: A301 204 030A
EAN-code	: 8715179004804

### Certificate:

**ATEX - Ex II 2GD**

**Ex d IIC T6 Gb - Ex tb IIIC T110°C Db**

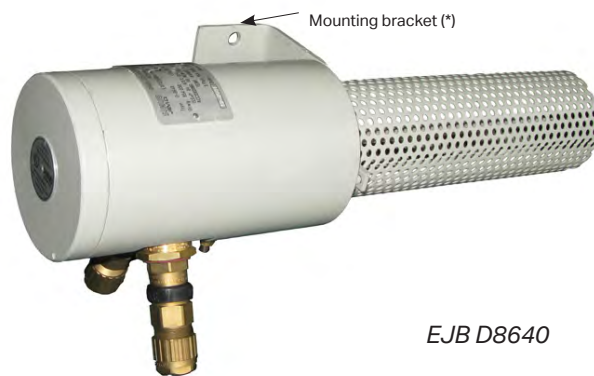
**According to EN/IEC 60079-1 and EN/IEC 60079-31**



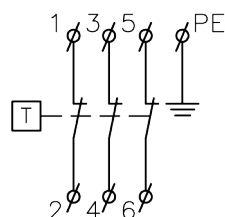
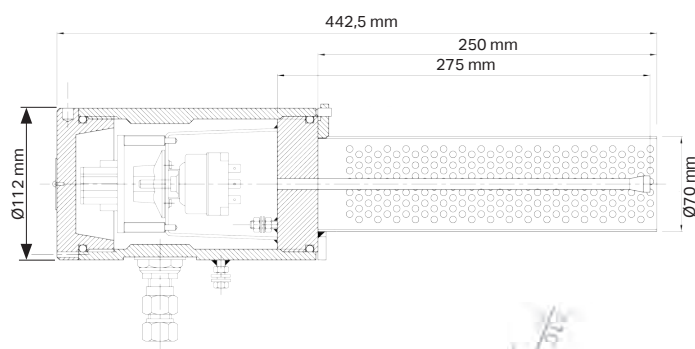
### (\*\*) Cable gland selection for flame proof thermostats

Cable gland selection should be according to EN-IEC 60079-14 (2014). According this standard it is allowed to apply cable glands without setting compound (e.g. Hawke type 501-453) if the connected cable is at least 3 m in length, the cable is sheathed with thermoplastic, thermosetting or elastomeric material and it is circular and compact. Any bedding or sheath have to be extruded. Fillers, if any, will be non-hygroscopic. In all other cases use the setting compound / barrier cable gland (For example: Hawke type ICG 653).

See Sinus Jevi brochure 'Ex cable glands' for more details about explosion proof cable glands.



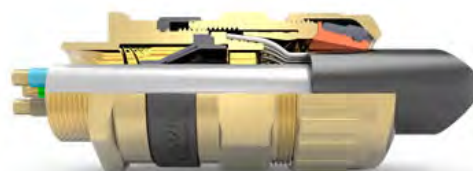
EJB D8640



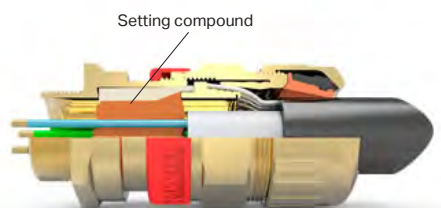
Electric diagram EJB D8640 (3p)



(\*) Mounting bracket EJB D8640



Hawke 501/453



Hawke ICG 653 barrier cable gland

---

# SINUS JEVI

Sinus is one of the pioneers in the field of explosion proof heating equipment, today we are still operating at the forefront. We manufacture according to ATEX as well as IECEx and EAC directives.

For the production of Ex-proof equipment a PQAN (Product Quality Assurance Notification) is issued by TUV-Nord. Our ISO-9001 and ISO-14001 systems are also monitored by this organisation.

## NIBE